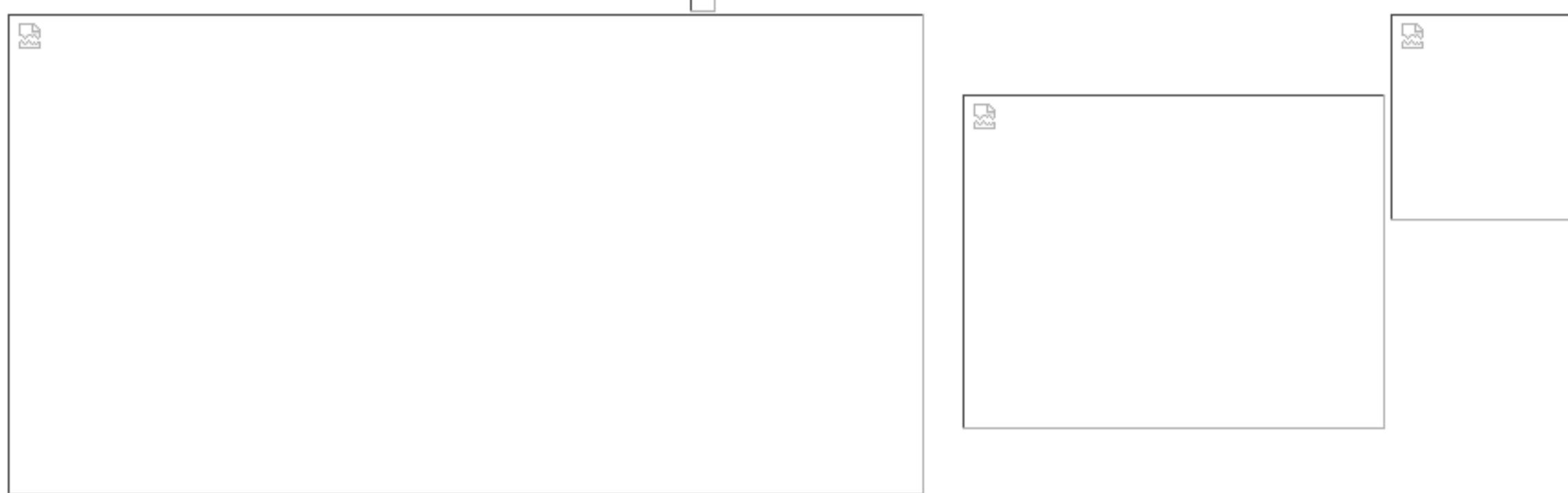


ORGANISATION CHART
MINISTRY OF STATISTICS AND PROGRAMME IMPLEMENTATION

Annexure - I

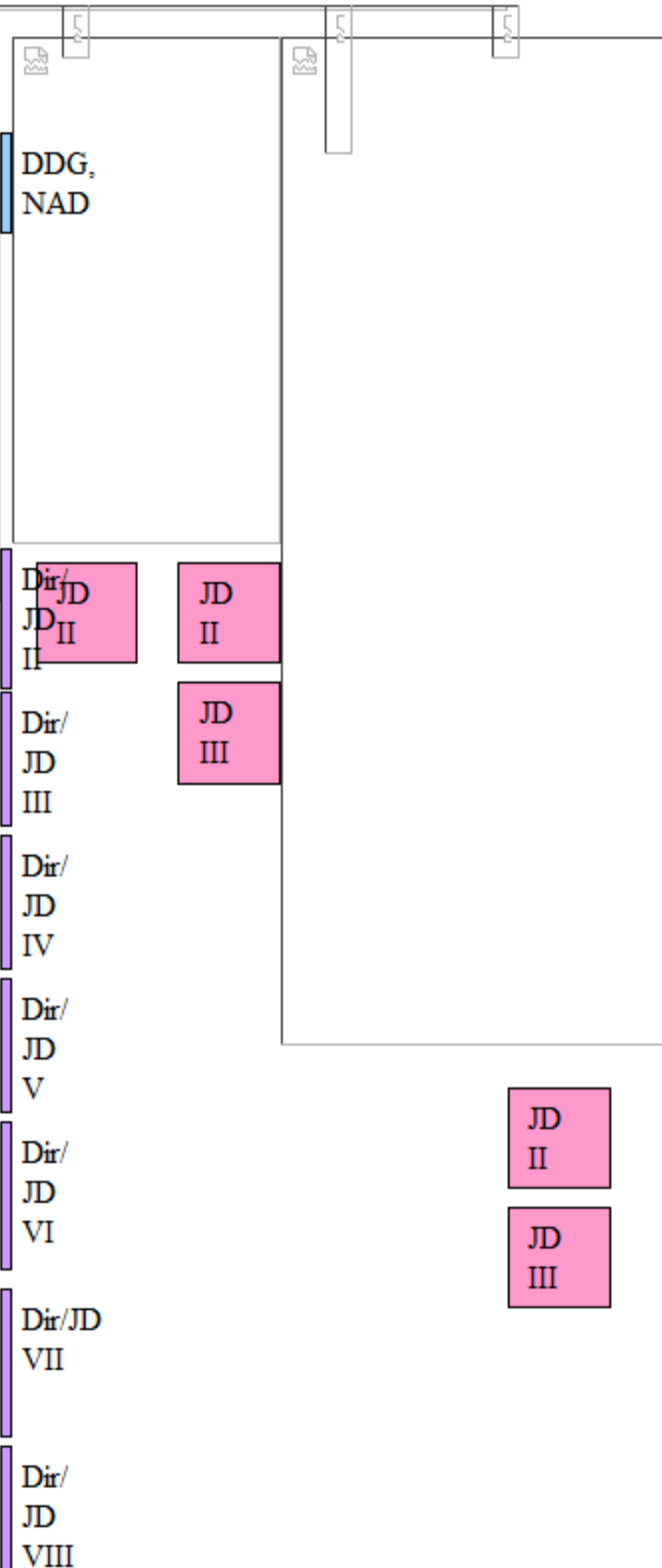
As on 1-1-2001

SECRETARY



Joint Secretary

Additional Secretary



JD II
JD III
JD IV

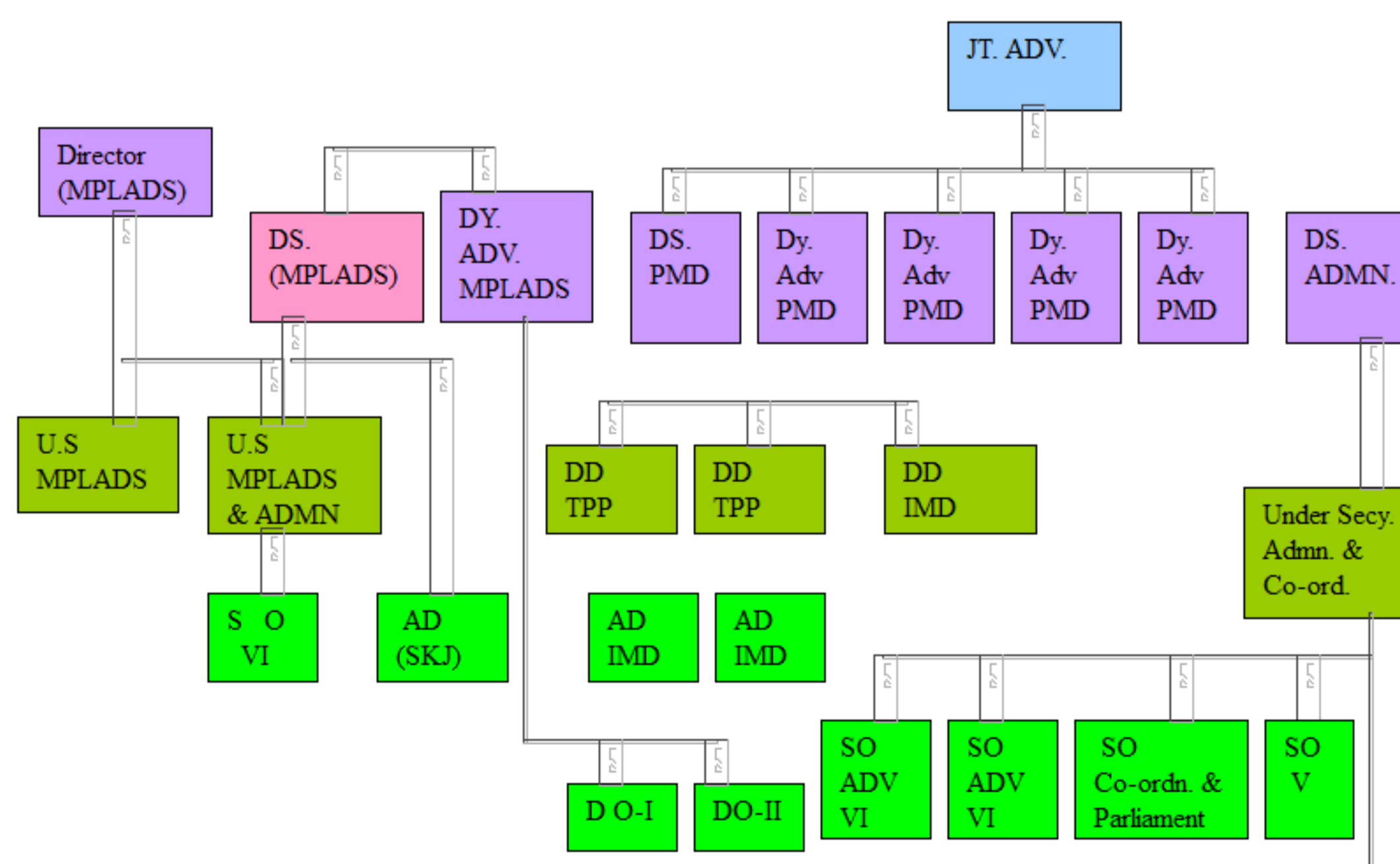
JD II
JD III
JD IV

JD II
JD III

Dir/
JD
I

Dir/
JD I
Dir/
JD II
Dir/
JD III

Under
Secy.
ADMN
I Under
Secy.
II Under
Secy.



JT. ADV.

Director
(MPLADS)

DS.
(MPLADS)

DY.
ADV.
MPLADS

DS.
PMD

Dy.
Adv.
PMD

Dy.
Adv.
PMD

Dy.
Adv.
PMD

DS.
ADMN.

U.S
MPLADS

U.S
MPLADS
& ADMN

DD
TPP

DD
TPP

DD
IMD

S O
VI

AD
(SKJ)

AD
IMD

AD
IMD

SO
ADV
VI

SO
ADV
VI

SO
Co-ordn. &
Parliament

SO
V

Under Secy.
Admn. &
Co-ord.